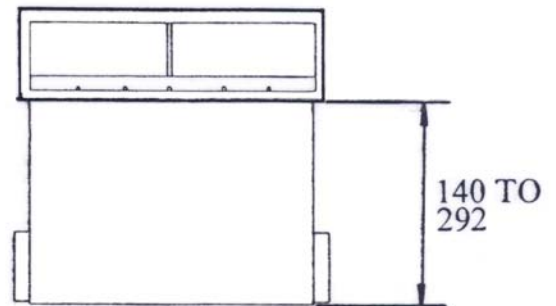
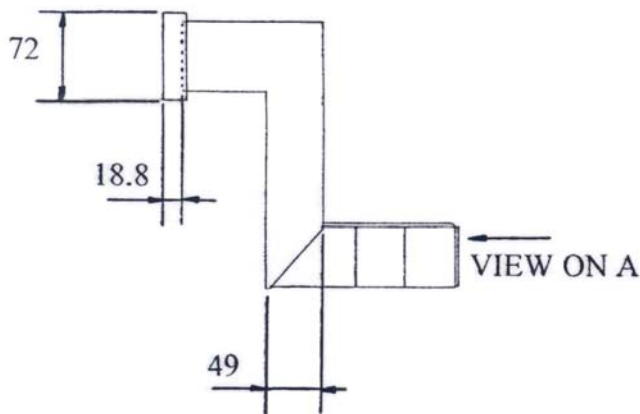
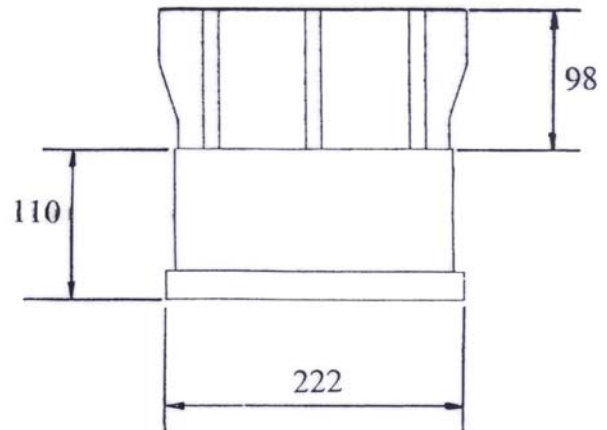
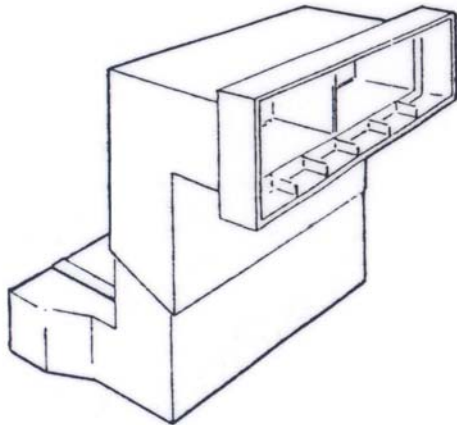
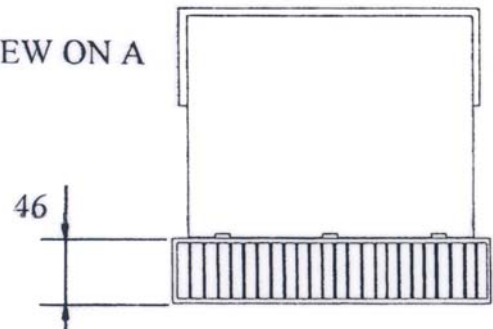


Telescopic Under Floor Void Ventilator

CODE **G960**



VIEW ON A



Description:

The G960 Telescopic Under Floor Void Ventilator is designed to provide a clear airflow passage to the void underneath a suspended floor.

The telescopic feature enables the G960 to adjust vertically between three and five brick courses although a G961 Vertical Extension Sleeve is also available for further multiples of two course adjustments as required.

The rear of the vent features a rodent grille consisting of evenly spaced slots specifically sized to prohibit entry of rodents and building debris which could block the vent.

The front aperture is able to take a G930 Combination Airbrick or a clay airbrick albeit with a reduced airflow.

COLOURS	Black
PACKING DETAILS	Packed in 20's per cardboard box.
WEIGHT	9.2kg per box
MATERIAL	Polypropylene
MANUFACTURING PROCESS	Injection Moulded
FREE AIRFLOW	6,600mm ²

MANTHORPE BUILDING PRODUCTS LTD
 MANTHORPE HOUSE
 BRITAIN DRIVE
 CODNOR GATE BUSINESS PARK
 RIPLEY
 DERBYSHIRE DE5 3ND

TEL: 01773 514 200
 FAX: 01773 514 262
 EMAIL: sales@manthorpe.co.uk
 WEB: www.manthorpe.co.uk

DRN M.L.W.O

Date 01.08.03

DRG No

Issue

The company maintains a policy of continuous development of its product range and reserves the right to amend the specification without notice.

MBP 8058

A